

DATASHEETS

# Thermal Cameras

# CB-BI850FT

Temperature Detection Thermal IP Camera



IP66



## Key Features

- Uncooled IRFPA Microbolometer
- Temperature detection
- Effective Pixels 400×300
- Sensitivity 40mK
- 8/15/25/35/50mm lens optional
- Infrared detection wavelength 8-14um
- Support 8 areas temperature Detection
- Support 17 color control
- Support DVE image Enhance
- Standalone operating

## Overview

Featuring a fixed lens bullet camera, this series provides an all-in-one solution that is especially beneficial for long distance video surveillance in outdoor applications. Together with Thermal technology, the camera's long range capabilities are able to be utilized even at night.

## Specifications

### Thermal Camera

Detector Type	Uncooled IRFPA Microbolometer
Effective Pixels	400(H) ×300(V)
Pixel Size	17μm
Thermal Sensitivity (NETD)	40mK @F1.0, 300K
Spectral Range	8~14um
Image Setting	Polarity LUT/ DVE/ Mirror/ FCC/ /3D DNR Brightness/Contrast/ ROI
Color Palettes	Black-Heat /White-Heat/Rainbow/Iron-Red up to 17 modes

### Thermal Lens

Lens Type	Fixed
Focus Control	Manual Focus
Focal Length	8mm   15mm   25mm   35mm   50mm
F No.	F1.0   F1.0   F1.0   F1.0   F1.0
Angle of View	H: 43.6° V:18°   H: 24° V:18°   H: 14.6° V:11°   H: 10.5° V:7.8°   H: 7.3° V:5.5°
Detection Distance Fire (1m*1m)	235m   440m   735m   1030m   1470m
Detection Distance Man (1.8m*0.5m)	220m   420m   700m   990m   1410m
Detection Distance Vehicle (2.3m*2.3m)	540m   1010m   1690m   2370m   3380m
Recognition Distance Fire (1m*1m)	78m   145m   245m   340m   490m
Recognition Distance Man (1.8m*0.5m)	75m   140m   230m   330m   470m
Recognition Distance Vehicle (2.3m*1.3m)	180m   340m   560m   790m   1120m

### Video and Audio

Compression	H.265, H.264, MJPEG
Frame Rate	Main Stream: D1 @25/30fps Sub Stream: CIF @25/30fps
Bit Rate Control	CBR/VBR
Bit Rate	100Kbps~6Mbps
Region of Interest	Off / On (8 Zone, Rectangle)
Electronic Image Stabilization(EIS)	N/A
Digital Zoom	16x
Mirror	Support
Defog	Support
Motion Detection	Support
Privacy Masking	Off / On (5 Area, Rectangle)
DVE Image Enhance	Support
Audio Compression	G.711, AMR, RAW_PCM (Optional)

### Intelligence

Intelligent Functions	Motion detection, Disk alarm, I/O alarm, Temperature alarm
Alarm Trigger	Perimeter, Single Virtual Fences, Double Virtual Fences, Object Left, Object Removed

## Specifications

### Temperature Detection

Detection Mode	Spot, Line, Area
Detection Preset	Spot: 20, Line: 2, Area: 16
Temperature Alarm	Over temperature alarm, Temperature difference alarm
Accuracy	±2 / ±2%
Response Time	≤30ms
Effective temperature working environment	-40 °C ~ 60 °C
Theory of temperature measurement range	-40 °C ~ 200 °C
Temperature display mode	Temperature target > 5°C, Display absolute temperature value; Temperature target ≤5°C, Display relative temperature value (temperature difference DEV = highest value - average)

### Network

Ethernet	RJ-45 (10/100Base-T)
Protocols:	IPv4/IPv6, HTTP, RTSP/RTP/RTCP, TCP/UDP, DHCP, DNS, PPPOE, SMTP, SIP, 802.1x
Interoperability	ONVIF, CGI
Streaming Method	Unicast
Max. User Access	10 Users
Edge Storage	NAS Local PC for instant recording Mirco SD card 128GB
Web Viewer	<IE11, Chrome, Firefox
Web Language	English, Chinese, Polish, Italian, Portuguese, Spanish. Russian, French, Czech, Hungarian

### Interface

Ethernet	1 Ethernet (10/100 Base-T) RJ-45 Connector
Audio Interface	1ch Audio In, 1ch Audio Out
Alarm	2ch Alarm In, 2ch Alarm Out
RS485	Support
BNC Output	Support
Reset Button	Support

### General

Power Supply	DC12V/POE
Power Consumption	Max 5W
Operating Temperature	-40 °C ~ 60 °C
Storage Conditions	0~ 90% RH
Certifications	CE /FCC
Ingress Protection	IP66
Casing	Metal
Dimensions	φ110×388mm
Net Weight	1900g



# CB-BPI850FT

## Bispectral PTZ Network Camera



### Key Features

- On-Board Temp-Detection Algorithm
- One IP address Two channels
- Effective Pixels 400×300
- Sensitivity 40mK
- 8/15/25/35/50mm Fixed Lens Optional
- 20 Spots / 2 Lines / 16 Areas  
Temperature Detection
- 17 Color Control
- Power Off Self-Locking,  
Strong Wind Resistance

### Overview

Featuring a fixed lens PTZ camera, this series provides an all-in-one solution that is especially beneficial for long distance video surveillance in outdoor applications. Together with Thermal technology, the camera's long range capabilities are able to be utilized even at night.

## Specifications

### Thermal Camera

Detector Type	Uncooled IRFPA Microbolometer
Effective Pixels	400(H) ×300(V)
Pixel Size	17μm
Thermal Sensitivity (NETD)	40mK @F1.0, 300K
Spectral Range	8~14um
Image Setting	Polarity LUT/ DVE/ Mirror/ FCC/ /3D DNR Brightness/Contrast/ ROI
Color Palettes	Black-Heat / White-Heat/Rainbow/Iron-Red up to 17 modes

### Thermal Lens

Lens Type	Fixed				
Focus Control	Manual Focus				
Focal Length	8mm	15mm	25mm	35mm	50mm
F No.	F1.0	F1.0	F1.0	F1.0	F1.0
Angle of View	H: 46° V:35.3°	H:25.5° V:19.2°	H:15.4° V:11.6°	H:11° V:9°	H: 7.7° V:5.8°
Detection Distance Fire (1m*1m)	235m	441m	735m	1029m	1471m
Detection Distance Man(1.8m*0.5m)	235m	441m	735m	1029m	1471m
Detection Distance Vehicle(4m*1.5m)	722m	1353m	2255m	3137m	4510m
Recognition Distance Fire(1m*1m)	78m	147m	245m	343m	490m
Recognition Distance Man(1.8m*0.5m)	59m	110m	184m	257m	368m
Recognition Distance Vehicle(4m*1.5m)	180m	338m	564m	789m	1127m

### Visible Camera

Image Sensor	1/1.9" Sony CMOS
Effective Resolution	1920(H)×1080(V)
Shutter Speed	1/5 ~ 1/20,000s
Min. Illumination	Color: 0.001Lux @(F1.2, AGC ON), B/W: 0.1Lux
S/N Ratio	More than 55dB

### Visible Lens

Focal Length	6 ~ 180mm
Max Aperture	F1.5 ~ F4.3
Angle of View	H: 59° ~ 2.4°
Optical Zoom	30x
Focus Control	Auto / Manual
Close Focus Distance	100mm~ 1000mm (0.33ft~3.28ft)

### PTZ

Pan/Tilt Range	Pan: 0° ~ 360° endless; Tilt: +90° ~ -90°
Pan/Tilt Speed	Pan: 0.01° ~60° /s; Tilt: 0.01° ~30° /s
Preset Speed	Pan: 0.01° ~60° /s; Tilt: 0.01° ~30° /s
Presets	400
PTZ Mode	8 Auto Scan, 12 Tour, 6 Track
Speed Setup	Auto/Manual (0-8),
Power Off Memory	Support
Idle Motion	Activate Preset/ Scan/ Tour/ Pattern if there is no command in the specified period
Protocol	Pelco-D

## Specifications

### Video and Audio

Compression	H.265, H.264, MJPEG
Frame Rate	Main Stream: Thermal: D1 @25/30fps Visible: 1920×1080/1280×720 @25/30fps Sub Stream: Thermal: CIF @25/30fps Visible: D1/VGA/640×360/CIF/QCIF/QVGA @25/30fps
Bit Rate Control	CBR/VBR
Bit Rate	Thermal: 100Kbps~6Mbps Visible: Main stream: 500Kbps~12Mbps; Sub stream: 100Kbps~6Kbps
Region of Interest	Off / On (8 Zone, Rectangle)
Electronic Image Stabilization(EIS)	N/A
Digital Zoom	16x
Mirror	Support
Defog	Support
Motion Detection	Support
Privacy Masking	Off / On (4 Area, Rectangle)
DVE Image Enhance	Support
Audio Compression	G.711, AMR, RAW_PCM (Optional)

### Video and Audio

Intelligent Functions	Motion detection, Disk alarm, I/O alarm, Temperature alarm
IVS	Perimeter, Single Virtual Fences, Double Virtual Fences, Object Left, Object Removed

### Temperature Detection

Detection Mode	Spot, Line, Area
Detection Preset	Spot: 20, Line: 2, Area: 16
Temperature Alarm	Over temperature alarm, Temperature difference alarm
Accuracy	±2°C / ±2%°C
Response Time	≤30ms
Effective temperature working environment	-40°C~60°C(-40°F~140°F)
Theory of temperature measurement range	-40°C~150°C(-40°F~302°F)
Temperature display mode	Temperature target >5 , Display absolute temperature value, Temperature target ≤5 , Display relative temperature value (temperature difference DEV = highest value - average)

### Network

Ethernet	RJ-45 (10/100Base-T)
Protocols	IPv4/IPv6 ,HTTP,RTSP/RTP/RTCP, TCP/UDP, DHCP, DNS, PPPOE, SMTP, SIP ,802.1x
Interoperability	ONVIF, CGI
Streaming Method	Unicast
Max. User Access	10 Users
Edge Storage	NAS Local PC for instant recording Micro SD card 128GB
Web Viewer	<IE11, Chrome, Firefox
Web Language	English, Chinese, Polish, Italian, Portuguese, Spanish. Russian, French, Czech, Hungarian



## Specifications

### Interface

Ethernet	1 Ethernet (10/100 Base-T) RJ-45 Connector
Audio Interface	2ch Audio In, 2ch Audio Out
Alarm	9ch Alarm In, 4ch Alarm Out
RS485	Support
BNC Output	Support
Reset Button	Support (Built-in)

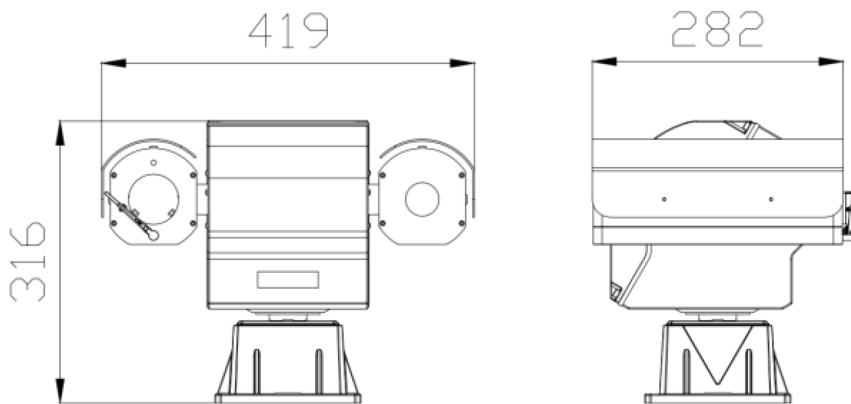
### Interface

Power Supply	DC36V
Power Consumption	Max 80W
Operating Temperature	-40°C~60°C(-40°F~140°F)
Storage Conditions	0~ 90% RH
Certifications	CE /FCC
Ingress Protection	IP66
Casing	Metal
Dimensions	282×419×316mm
Net Weight	16.5Kg (Contains 25 mm lens)

### Models

Model	Part No	Lens	Detection Distance	Alarm Trigger
CB-BPI80FT	1132030	8mm	235m	Yes
CB-BPI15FT	1132032	15mm	441m	Yes
CB-BPI25FT	1132034	25mm	735m	Yes
CB-BPI35FT	1132036	35mm	1029m	Yes
CB-BPI50FT	1132038	50mm	1471m	Yes

## Dimensions





**DISTRIBUTION CENTER**

4-6 Kiprou Str.,

177 78, Tavros,

Athens, Greece

T +30 210 9580887-8,

F +30 210 9580885

[info@cubitech.com](mailto:info@cubitech.com)

[www.cubitech.com](http://www.cubitech.com)