

DATASHEETS

# M Series Cameras

# CB-BIM2028FW

1080P, Mini Bullet Camera with fixed lens



## Key Features

- Mini metal design, easy installation
- 1/2.7" Progressive Scan CMOS
- 2.8mm fixed lens
- H265 encoding, 2MP@25fps
- WDR (120db)
- Smart IR Up to 30m
- ROI, Defog, Corridor mode, DIS
- Low bitrate, Excellent low light performance

2.0 MP IP66 IK10 POE Onvif



## Overview

Cubitech's middle line has been upgraded to H.265 encoding technology, bringing high efficient video compression. With 1080p@25fps resolution and True WDR up to 120ds they provide excellent image quality even in harshly backlit environments.

Embedded video analytics features such as line crossing perimeter, removed object left or removed, illegal parking etc provide efficient event triggers for the most demanding security and business requirements.

## Specifications

Part No	1115064
---------	---------

### Camera

Image Sensor	1/2.7" Progressive Scan CMOS
Effective Pixels	1920(H)×1080(V)
Scanning System	Progressive
Electronic Shutter	1/5-1/20,000s
Min. illumination	Color:0.01Lux@(F1.2,AGC ON), B/W:0Lux@(IR LED ON)
S/N Ratio	55dB
IR Range	Up to 30m
IR On/Off Control	Auto/ Manual
IR LEDs	24pcs

### Lens

Lens Type	Fixed
Iris	Fixed Iris
Focal Length	2.8mm
F Number	F2.0
Angle of View	105°
Focus Control	Fixed
Close Focus Distance	0.5m

### Video

Compression	H.265,H.264,MJPEG
Max. Resolution	2MP (1920×1080)
Streaming Capability	3 Streams
Stream /Frame Rate	Stream1: 1920×1080/1280×720 @25/30fps Stream2: D1/VGA/640×360/CIF/QVGA @25/30fps Stream3: VGA/CIF/QVGA @25/30fps
Bit Rate Control	CBR/VBR
Bit Rate	Stream1: 500kbps~12000kbps Stream2: 100kbps~6000kbps Stream3: 100kbps~3000kbps
Day/Night	ICR
Image Enhancement	HLC / Defog / WDR (120dB)
White Balance	Support
Gain Control	Auto/Manual
Noise Reduction	2D/3D DNR
Electronic Image Stabilization(EIS)	Support
Smart IR	Support
Mirror	Support
Region of Interest	Support
Motion Detection	Support
Privacy Masking	Support

### Audio

Compression	N/A
Bit Rate	N/A

## Specifications

### Network

Protocols:	IPv4/IPv6, 802.1x, HTTP, HTTPS, TCP/IP, UDP/IP, RTSP, DHCP, NTP, RTCP/RTP, PPPoE, SMTP, DNS, UPnP, FTP, ARP, SNMP
Interoperability	ONVIF
Streaming Method	Unicast
Max. User Access	10 Users
Web Viewer	<IE11, Chrome, Firefox
Smart Phone	IOS, Android

### Intelligence

IVS	Perimeter, Single Virtual Fences, Double Virtual Fences, Loiter, Multi Loiter, Object Left, Object Removed, Abnormal Speed, Converse, Illegal Parking, Signal Bad
-----	---

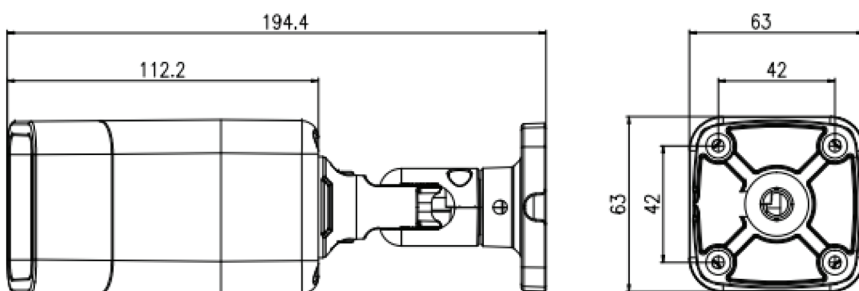
### Interface

Ethernet	1 Ethernet (10/100 Base-T) RJ-45 Connector
Audio Interface	N/A
Alarm	N/A
RS485	N/A
BNC Output	N/A
Reset Button	N/A
Edge Storage	N/A

### Electrical

Power Supply	DC12V/POE
Power Consumption	2W(IR LED OFF), 4.5W (IR LED ON)
Operating Temperature	Starting Temperature: -30°C ~ 50°C (-22°F ~ 122°F) Working Temperature: -30°C ~ 50°C (-22°F ~ 122°F)
Operating Humidity	Less than 90% RH
Ingress Protection	IP66, IK10
Certifications	CE / FCC
Casing	Metal
Dimensions	194.4×63×63mm
Net Weight	500g

## Dimensions



# CB-BIM2028VW

1080p Bullet Camera with motorized lens



## Key Features

- 1/3" Progressive Scan CMOS
- Motorized lens 2.7~13.5mm
- H265 encoding, 2MP@25fps
- WDR (120db)
- Smart IR Up to 40m
- 1ch Audio in/out, 1ch Alarm in/out
- ROI, Defog, Corridor mode, DIS
- Low bitrate, Excellent low light performance

2.0 MP IP66 IK10 POE Onvif



## Overview

Cubitech's middle line has been upgraded to H.265 encoding technology, bringing high efficient video compression. With 1080p@25fps resolution and True WDR up to 120ds they provide excellent image quality even in harshly backlit environments.

Embedded video analytics features such as line crossing perimeter, removed object left or removed, illegal parking etc provide efficient event triggers for the most demanding security and business requirements.

## Specifications

Part No	1117076
---------	---------

### Camera

Image Sensor	1/3" Progressive Scan CMOS
Effective Pixels	1920(H)×1080(V)
Scanning System	Progressive
Electronic Shutter	1/5-1/20,000s
Min. illumination	Color:0.05Lux@(F1.2,AGC ON) / B/W:0Lux@(IR LED ON)
S/N Ratio	55dB
IR Range	Up to 40m
IR On/Off Control	Auto/ Manual
IR LEDs	30pcs

### Lens

Lens Type	Motorized
Iris	Fixed Iris
Focal Length	2.7~13.5mm
F Number	F1.3
Angle of View	103°~ 34.3°
Focus Control	Motorized
Close Focus Distance	0.2m

### Video

Compression	H.265,H.264,MJPEG
Max. Resolution	2MP(1920×1080)
Streaming Capability	3 Streams
Stream / Frame Rate	Stream1: 1920×1080/1280×720 @25/30fps Stream2: 1920×1080/D1/VGA/640×360/CIF/QVGA @15/30fps Stream3: VGA/CIF/QVGA @25/30fps
Bit Rate Control	CBR/VBR
Bit Rate	Stream1: 200kbps~12000kbps Stream2: 100kbps~6000kbps Stream3: 100kbps~6000kbps
Day/Night	ICR
Image Enhancement	HLC / Defog / WDR (120dB)
White Balance	Support
Gain Control	Auto/Manual
Noise Reduction	2D/3D DNR
Electronic Image Stabilization (EIS)	Support
Smart IR	Support
Mirror	Support
Region of Interest	Support
Motion Detection	Support
Privacy Masking	Support

### Audio

Compression	G.711, RAW_PCM
Bit Rate	64kbps (G.711), 128kbps (RAW_PCM)

## Specifications

### Network

Protocols:	IPv4/IPv6, 802.1x, HTTP, HTTPS, TCP/IP, UDP/IP, RTSP, DHCP, NTP, RTCP/RTP, PPPoE, SMTP, DNS, UPnP, FTP, ARP, SNMP
Interoperability	ONVIF
Streaming Method	Unicast
Max. User Access	10 Users
Web Viewer	<IE11, Chrome, Firefox
Smart Phone	IOS, Android

### Intelligence

IVS	Perimeter, Single Virtual Fences, Double Virtual Fences, Loiter, Multi Loiter, Object Left, Object Removed, Abnormal Speed, Converse, Illegal Parking, Signal Bad
-----	---

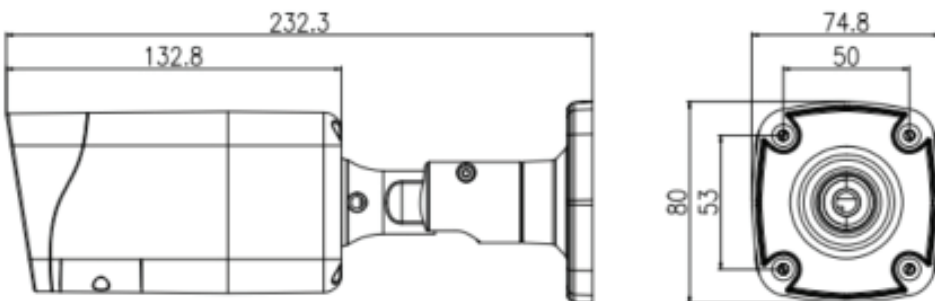
### Interface

Ethernet	1 Ethernet (10/100 Base-T) RJ-45 Connector
Audio Interface	1ch input, 1ch output
Alarm	1ch input, 1ch output
RS485	N/A
BNC Output	N/A
Reset Button	Yes
Edge Storage	Micro SD, Max 128GB

### Electrical

Power Supply	DC12V/POE
Power Consumption	2.5W(IR LED OFF), 6.5W IR LED ON
Operating Temperature	Starting Temperature: -30°C ~ 50°C (-22°F ~ 122°F) Working Temperature: -30°C ~ 50°C (-22°F ~ 122°F)
Operating Humidity	Less than 90% RH
Ingress Protection	IP66, IK10
Certifications	CE / FCC
Casing	Metal
Dimensions	232×74.8×80mm
Net Weight	670g

## Dimensions



# CB-DIM2028FW

1080p, Mini Dome Camera with fixed lens



## Key Features

- Mini metal design, easy installation
- 1/2.8" Progressive Scan CMOS
- 2.8mm fixed lens
- H.265 encoding, 1080p@25fps
- WDR (120db)
- Smart IR Up to 15m
- ROI, Defog, Corridor mode, DIS
- 1ch Audio in/out, 1ch Alarm in/out
- Low bitrate, Excellent low light performance

2.0 MP IP66 IK10 POE Onvif



## Overview

Cubitech's middle line has been upgraded to H.265 encoding technology, bringing high efficient video compression. With 1080p@25fps resolution and True WDR up to 120ds they provide excellent image quality even in harshly backlit environments.

Embedded video analytics features such as line crossing perimeter, removed object left or removed, illegal parking etc provide efficient event triggers for the most demanding security and business requirements.



## Specifications

Part No	1123041
---------	---------

### Camera

Image Sensor	1/2.8" Progressive Scan CMOS
Effective Pixels	1920(H)×1080(V)
Scanning System	Progressive
Electronic Shutter	1/5-1/20000s
Min. illumination	Color:0.01Lux@(F1.2,AGC ON) ; / B/W:0Lux@(IR LED ON)
S/N Ratio	55dB
IR Range	Up to 15m
IR On/Off Control	Auto/ Manual
IR LEDs	1pcs

### Lens

Lens Type	Fixed
Iris	Fixed Iris
Focal Length	2.8mm
F Number	F2.0
Angle of View	H: 106.8°, V: 57.6°
Focus Control	Fixed
Close Focus Distance	0.5m

### Video

Compression	H.265,H.264,MJPEG
Max. Resolution	2MP (1920×1080)
Streaming Capability	3 Streams
Stream / Frame Rate	Stream1: 1920×1080/1280×720 @25/30fps Stream2: D1/VGA/640×360/CIF/QVGA @25/30fps Stream3: VGA/CIF/QVGA @25/30fps
Bit Rate Control	CBR/VBR
Bit Rate	Stream1: 500kbps~12000kbps Stream2: 100kbps~6000kbps Stream3: 100kbps~3000kbps
Day/Night	ICR
Image Enhancement	HLC / Defog / WDR (120dB)
White Balance	Support
Gain Control	Auto/Manual
Noise Reduction	2D/3D DNR
Electronic Image Stabilization(EIS)	Support
Smart IR	Support
Mirror	Support
Region of Interest	Support
Motion Detection	Support
Privacy Masking	Support

### Audio

Compression	G.711, RAW_PCM
Bit Rate	64kbps (G.711), 128kbps (RAW_PCM)

## Specifications

### Network

Protocols:	IPv4/IPv6, 802.1x, HTTP, HTTPS, TCP/IP, UDP/IP, RTSP, DHCP, NTP, RTCP/RTP, PPPoE, SMTP, DNS, UPnP, FTP, APR, SNMP
Interoperability	ONVIF
Streaming Method	Unicast
Max. User Access	10 Users
Web Viewer	<IE11, Chrome, Firefox
Smart Phone	IOS, Android

### Intelligence

IVS	Perimeter, Single Virtual Fences, Double Virtual Fences, Loiter, Multi Loiter, Object Left, Object Removed, Abnormal Speed, Converse, Illegal Parking, Signal Bad
-----	---

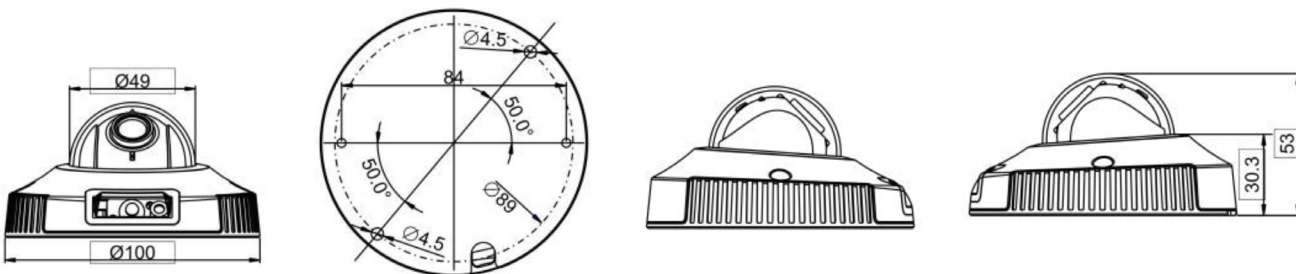
### Interface

Ethernet	1 Ethernet (10/100 Base-T) RJ-45 Connector
Audio Interface	1ch Audio In, 1ch Audio Out, (Microphone Optional)
Alarm	1ch Alarm In, 1ch Alarm Out
RS485	N/A
BNC Output	Support
Reset Button	Support
Edge Storage	Micro SD, Max 128GB

### Electrical

Power Supply	DC12V/POE
Power Consumption	2.5W(IR LED OFF), 5W IR LED ON
Operating Temperature	Starting Temperature: -30°C ~ 60°C (-22°F ~ 140°F) Working Temperature: -40°C ~ 60°C (-40°F ~ 140°F)
Operating Humidity	Less than 90% RH
Ingress Protection	IP66, IK10
Certifications	CE / FCC
Casing	Metal
Dimensions	φ100×53mm
Net Weight	400g

## Dimensions



# CB-DIM2028VW

1080p Dome Camera with motorized lens



## Key Features

- 1/3" Progressive Scan CMOS
- Motorized lens 2,7-13,5mm
- H.265 encoding, 1080p@25fps
- WDR (120db)
- Smart IR Up to 30m
- ROI, Defog, HLC, Corridor mode, DIS
- Low bitrate, Excellent low light performance

2.0 MP IP66 IK10 POE Onvif



## Overview

Cubitech's middle line has been upgraded to H.265 encoding technology, bringing high efficient video compression. With 1080p@25fps resolution and True WDR up to 120db they provide excellent image quality even in harshly backlit environments.

Embedded video analytics features such as line crossing perimeter, removed object left or removed, illegal parking etc provide efficient event triggers for the most demanding security and business requirements.

## Specifications

Part No	1124045
---------	---------

### Camera

Image Sensor	1/3" Progressive Scan CMOS
Effective Pixels	1920(H)×1080(V)
Scanning System	Progressive
Electronic Shutter	1/5-1/20000s
Min. illumination	Color:0.05Lux@(F1.2,AGC ON) / B/W:0Lux@(IR LED ON)
S/N Ratio	55dB
IR Range	Up to 30m
IR On/Off Control	Auto/ Manual
IR LEDs	15pcs

### Lens

Lens Type	Motorized
Iris	Fixed Iris
Focal Length	2.7~13,5mm
F Number	F1.3
Angle of View	103°~ 34.3°
Focus Control	Motorized
Close Focus Distance	0.2m

### Video

Compression	H.265, H.264, MJPEG
Max. Resolution	2MP(1920×1080)
Streaming Capability	3 Streams
Stream / Frame Rate	Stream1: 1920×1080/1280×720 @25/30fps Stream2: D1/VGA/640×360/CIF/QVGA @25/30fps Stream3: VGA/CIF/QVGA @25/30fps
Bit Rate Control	CBR/VBR
Bit Rate	Stream1: 200kbps~12000kbps Stream2: 100kbps~6000kbps Stream3: 100kbps~6000kbps
Day/Night	ICR
Image Enhancement	HLC / Defog / WDR (120db)
White Balance	Support
Gain Control	Auto/Manual
Noise Reduction	2D/3D DNR
Electronic Image Stabilization (EIS)	Support
Smart IR	Support
Mirror	Support
Region of Interest	Support
Motion Detection	Support
Privacy Masking	Support

### Audio

Compression	G.711, RAW_PCM
Bit Rate	64kbps (G.711), 128kbps (RAW_PCM)

## Specifications

### Network

Protocols:	IPv4/IPv6, 802.1x, HTTP, HTTPS, TCP/IP, UDP/IP, RTSP, DHCP, NTP, RTP/RTCP, PPPoE, SMTP, DNS, UPnP, FTP, ARP, SNMP
Interoperability	ONVIF
Streaming Method	Unicast
Max. User Access	10 Users
Web Viewer	<IE11, Chrome, Firefox
Smart Phone	IOS, Android

### Intelligence

Alarm trigger	Perimeter, Single Virtual Fences, Double Virtual Fences, Loiter, Multi Loiter, Object Left, Object Removed, Abnormal Speed, Converse, Illegal Parking, Signal Bad
---------------	---

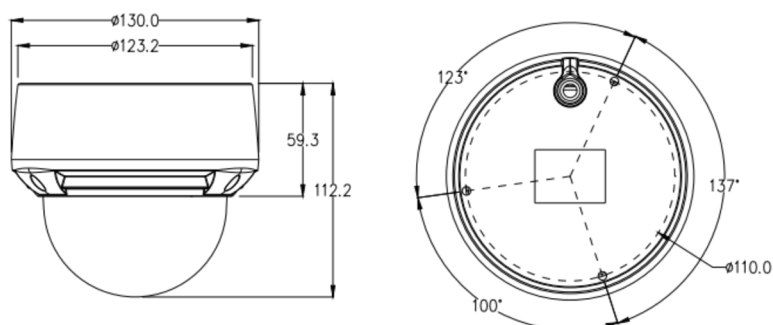
### Interface

Ethernet	1 Ethernet (10/100 Base-T) RJ-45 Connector
Audio I/O	1 ch input, 1 ch output
Alarm I/O	1 ch input, 1 ch output
RS485	N/A
BNC Output	N/A
Reset Button	Yes
Edge Storage	Micro SD, Max 128GB

### Electrical

Power Supply	DC12V/POE
Power Consumption	3W (IR LED OFF), 5W IR LED ON
Operating Temperature	Starting Temperature: -30°C ~ 50°C (-22°F ~ 122°F) Working Temperature: -30°C ~ 50°C (-22°F ~ 122°F)
Operating Humidity	Less than 90% RH
Ingress Protection	IP66, IK10
Certifications	CE / FCC
Casing	Metal
Dimensions	φ130×112mm
Net Weight	690g

## Dimensions





**DISTRIBUTION CENTER**

4-6 Kiprou Str.,  
177 78, Tavros,  
Athens, Greece  
T +30 210 9580887-8,  
F +30 210 9580885

[info@cubitech.com](mailto:info@cubitech.com)  
[www.cubitech.com](http://www.cubitech.com)