

DATASHEETS

H Series Cameras

CB-BIS4028F

4.0MP, IR Mini Bullet Camera with 2.8mm Fixed lens
& True WDR \geq 120dB



- Smart IR Range up to 30m
- Superior image performance
- Stunning bandwidth and storage efficiency
- HDTV video quality up to 4.0MP

4.0MP IP66 POE IK10



Overview

CB-BIS4028F provides you an excellent image quality – even at night – in a small and good-looking housing.

A day/night mechanical IR cut filter makes this camera ideal for applications with fluctuating lighting conditions, delivering color images during the day and automatically switching to monochrome as the scene darkens (ICR).

The camera features back light compensation mode, that is used for enhancing objects in back-lit scenes. Additionally, the electronic shutter ensures blur-free images even when recording fast moving objects. This is useful for applications such as license plate recognition.

CB-BIS4028F is ideal for 24/7 video surveillance, in exposed outdoor areas such as parking lots, service- stations and for general indoor surveillance purposes where a compact camera is needed.

Specifications

Camera	
Part No	1115040
Image Sensor	1/3" Progressive Scan CMOS
Min. illumination	Color 0.2Lux, IR ON 0 Lux
ICR - IR Cut Filter	Yes
Shutter Time	1/5-1/20000
Auto Iris	N/A
Wide Dynamic Range	True WDR>120dB
Digital Noise Reduction	2D/3D
Lens Type/ Focal Length	2.8mm, Fixed lens
FOV	94°
IR LEDs	2pcs Super LEDs
IR Distance	30m
Image	
Video Compression	H.264/H.265, MJPEG
Bit Rate (CBR/VBR)	Main stream: 500kb-12000kb, Sub stream 100kb-6000kb
Audio Compression	G.711, RAW_PCM
Max.Resolution	2592x1520/2560x1440@20fps, 2304x1296@30fps,1920x1080@30fps
Stream	Stream 1: 2592x1520/2560x1440/2304x1296/1920x1080 Stream 2: D1 to QVGA
Image Setting	Rotate Mode, Saturation, Brightness, Contrast, Sharpness
BLC	Yes
HLC	Yes
9:16 Corridor mode	Yes
ROI	Yes
Defog	Yes
DIS	Yes
Network	
Supported Protocols	IPv4, 802.1x, HTTP, HTTPS, TCP/IP, UDP/IP, RTSP, DHCP, NTP, RTCP/RTP, PPPoE, SMTP, DNS, UPnP, FTP, ICMP, IGMP, Unicast and Multicast
Alarm Trigger	Perimeter, Single Virtual Fences, Double Virtual Fences, Loiter, Multi Loiter, Object Left, Object Removed, Abnormal Speed, Converse, Illegal Parking, Signal Bad, Motion Detection, Network disconnect
RTSP Video	Standard RFC2326, Support QuickTime / VLC Player
Security	User security authentication, Reset, Hardware WatchDog
Web Language	English, Polish, Italian, Portuguese, Spanish, Chinese

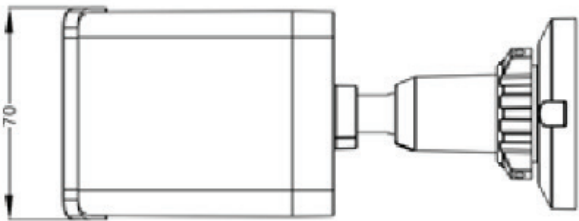
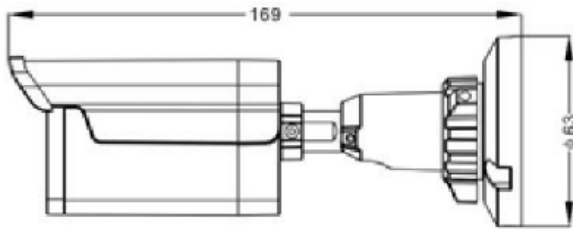
Interface

Ethernet	1 Ethernet (10/100 Base-T) RJ-45 Connector
Audio I/O	N/A
Alarm I/O	N/A
RS485	N/A
BNC Output	Yes
Reset Button	Yes
Edge Storage	N/A

General

Power Supply	DC12V/POE
Power Consumption	2.5W(IR LED OFF), 5W/(IR LED ON)
Operating Temperature	Starting Temperature: -30° ~ 60° (-22° ~ 140°) Working Temperature: -40° ~ 60° (-40° ~ 140°)
Operating Humidity	0% - 90% RH
Protection Level	IP66, IK10
Certifications	CE / FCC
Dimensions	169x70x63mm
Net Weight	631g

Dimensions



CB-BIS4028VI

4.0MP Motorized IR Bullet Camera with True WDR \geq 120dB



Key Features

- Smart IR Range up to 30m
- Sharp, high quality, color images
- Stunning bandwidth and storage efficiency
- HDTV video quality up to 4.0M

4.0MP IP66 POE IK10



Overview

CB-BIS4028VI provides you a superior image quality – even at night.

A day/night mechanical IR cut filter makes this camera ideal for applications with fluctuating lighting conditions, delivering color images during the day and automatically switching to monochrome as the scene darkens (ICR).

The camera features back light compensation mode, that is used for enhancing objects in back-lit scenes. With the Auto Iris function, the camera can maintain the optimum light level to the image sensor so that images can be sharp, clear and correctly exposed with good contrast and resolution.

CB-BIS4028VI is ideal for 24/7 video surveillance, in exposed outdoor areas such as parking lots, service- stations and for general indoor surveillance purposes where a compact, metal designed camera is needed.

Specifications

Part No. 1117064

Camera

Image Sensor	1/3" Progressive Scan CMOS
Min. illumination	Color 0.05Lux;IR ON 0 Lux
ICR - IR Cut Filter	Yes
Shutter Time	1/1-1/20000
Auto Iris	Yes
Wide Dynamic Range	WDR>120dB, True WDR
Digital Noise Reduction	2D/3D
Lens Type/ Focal Length	2.8-12mm, Motorized
FOV	90°~ 35°
IR LEDs	10pcs
IR Distance	30m

Image

Video Compression	H.264/265, MJPEG
Bit Rate (CBR/VBR)	Main stream: 500kb-1200kb, Sub stream 100kb-600kb
Audio Compression	G.711, RAW_PCM
Max.Resolution	2592x1520/2560x1440@20fps, 2304x1296@30fps, 1920x1080@30fps
Stream	Stream 1: 2592x1520/2560x1440/2304x1296/1920x1080 Stream 2: D1 to QVGA
Image Setting	Rotate Mode, Saturation, Brightness, Contrast, Sharpness
HLC	Yes
BLC	Yes
9:16 Corridor Mode	Yes
DIS	Yes
ROI	Yes
Defog	Yes

Network

Supported Protocols	IPv4, IPv6, 802.1x, HTTP, HTTPS, TCP/IP, UDP/IP, RTSP, DHCP, NTP, RTP/RTCP, PPPoE, SMTP, DNS, UPnP, FTP, ICMP, IGMP, SNMP, Unicast and Multicast
Alarm Trigger	Perimeter, Single Virtual Fences, Double Virtual Fences, Loiter, Object Left, Object Removed, Abnormal Speed, Converse, Illegal Parking, Signal Bad, Motion Detection, Network disconnect, Disk alarm
RTSP Video	Standard RFC2326, Support QuickTime / VLC Player
Security	User security authentication, Reset, Hardware WatchDog
Web Language	English, Polish, Italian, Portuguese, Spanish, Chinese

Interface

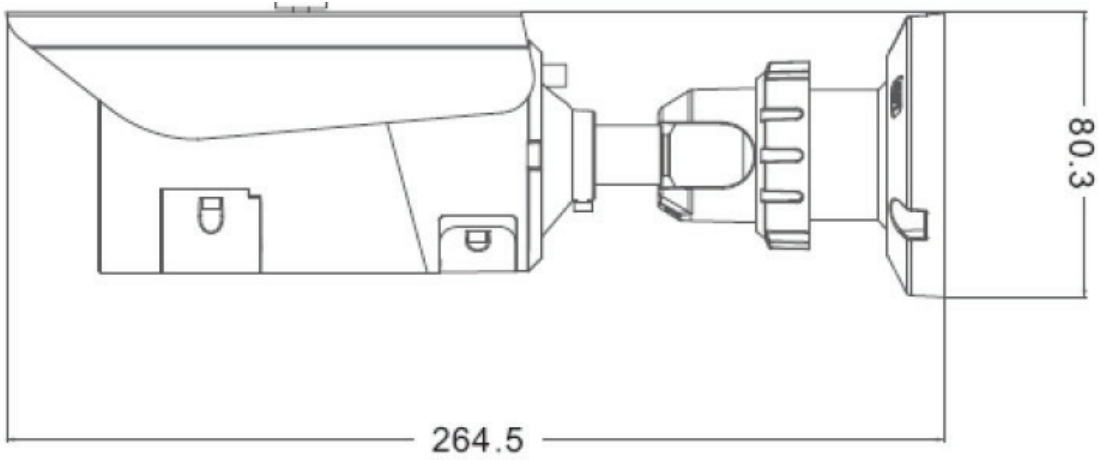
Ethernet	1 Ethernet (10/100 Base-T) RJ-45 Connector
Audio I/O	1ch Audio In, 1ch Audio Out
Alarm I/O	N/A
RS485	N/A
BNC Output	Yes
Reset Button	Yes
Edge Storage	Micro SD/SDHC slot, Max 128GB

Specifications

General

Power Supply	DC12V/POE
Power Consumption	3W (IR LED OFF), 5.5W (IR LED ON)
Operating Temperature	Starting Temperature: -30°~+60°C (-22°~140°C) Working Temperature: -40°~+60°C (-40°~140°C)
Operating Humidity	0% - 90% RH
Protection Level	IP66, IK10
Certifications	CE / FCC
Dimensions	φ80.3x264.5mm
Net Weight	830g

Dimensions



CB-DIS4028F

4.0MP, Vandal proof with 2.8mm Fixed lens,
True WDR & BLC



- High quality video capturing at 4.0MP
- True WDR for good detail in bright and dark areas
- Easy, flexible installation on wall or ceiling
- Smart IR Range 15m

4.0MP POE IP66 IK10 Onvif



Overview

CB-DIS4028F is a discreet mini dome network camera, with 2.8mm fixed lens. It offers a brilliant video performance at 4.0MP resolution, while can provide clear image with rich details even under backlight, due to True WDR. With triple streaming, CB-DIS4028F is able to provide flexibility and adaptability to different LAN requirements and restrictions.

The camera is designed for flexible and easy installation, while at the same time, with the vandal proof metal casing, can be exposed to areas that demand vandal resistance.

Specifications

Camera

Part No.	1123029
Image Sensor	1/3" Progressive Scan CMOS
Min. illumination	Color 0.05Lux, IR ON 0 Lux
ICR - IR Cut Filter	Yes
Shutter Time	1/5-1/20000
Auto Iris	N/A
Wide Dynamic Range	WDR>120dB, True WDR
Digital Noise Reduction	2D/3D
Lens Type/ Focal Length	2.8mm, Fixed
FOV	100°
IR LEDs	1pcs
IR Distance	15m

Image

Video Compression	H.264/265, MJPEG
Bit Rate (CBR/VBR)	Main stream: 500kb-12000kb, Sub stream 100kb-6000kb
Audio Compression	G.711, RAW_PCM
Resolutions	2592x1520/2560x1440@20fps, 2304x1296@30fps, 1920x1080@30fps
Stream	Stream 1: 2592x1520/2560x1440/2304x1296/1920x1080 Stream 2: D1 to QVGA
Image Setting	Rotate Mode, Saturation, Brightness, Contrast, Sharpness
BLC	Yes
HLC	Yes
9:16 Corridor Mode	Yes
DIS	Yes
ROI	Yes
Defog	Yes

Network

Supported Protocols	IPv4, 802.1x, HTTP, HTTPS, TCP/IP, UDP/IP, RTSP, DHCP, NTP, RTCP/RTP, PPoE, SMTP, DNS, UPnP, FTP, ICMP, IGMP, Unicast and Multicast supported
Alarm Trigger	Perimeter, Single Virtual Fences, Double Virtual Fences, Loiter, Multi Loiter, Object Left, Object Removed, Abnormal Speed, Converse, Illegal Parking, Signal Bad, Motion Detection, Network disconnect, Disk alarm
RTSP Video	Standard RFC2326, Support QuickTime / VLC Player
Security	User security authentication, Reset, Hardware WatchDog
Web Language	English, Polish, Italian, Portuguese, Spanish, Chinese

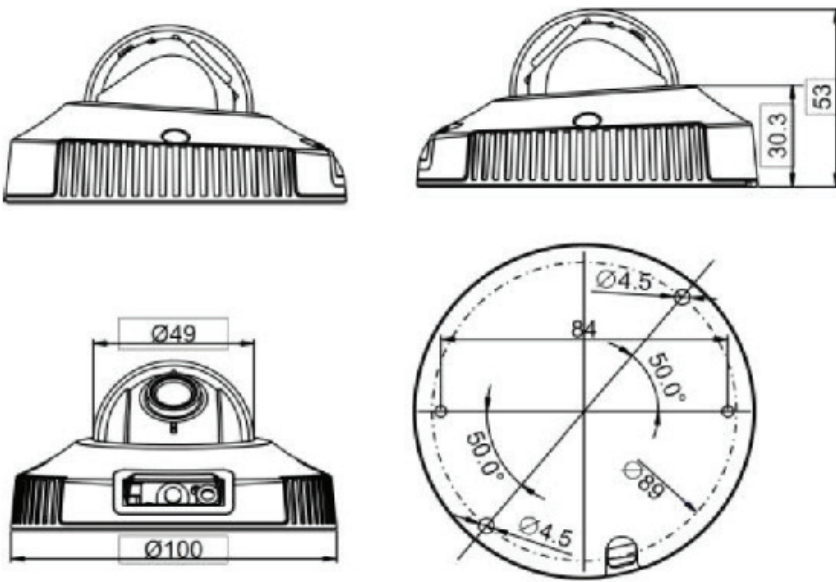
Interface

Ethernet	1 Ethernet (10/100 Base-T) RJ-45 Connector
Audio I/O	1ch Audio In, 1ch Audio Out
Alarm I/O	N/A
RS485	N/A
BNC Output	Yes
Reset Button	Yes
Edge Storage	Micro SD/SDHC slot, Max 128GB
Microphone	N/A

General

Power Supply	DC12V/POE
Power Consumption	2.5W (IR LED OFF)/ 5W (IR LED ON)
Operating Temperature	Starting Temperature: -30 ~+60 (-22 ~140) Working Temperature: -40 ~+60 (-40 ~140)
Operating Humidity	0% - 90% RH
Protection Level	IP66, IK10
Certifications	CE / FCC
Casing	Metal
Dimensions	φ100x53mm
Net Weight	400g

Dimensions



CB-DIS4028V

4.0MP Vandal proof with Auto Iris Motorized lens & True WDR



Key Features

- High quality video capturing at 4.0MP
- 2.8-12mm Auto Iris Motorized lens
- Advanced H.265 encoding to save up to 50% bandwidth and storage
- Amazing Dynamic Range with > 120dB
- Triple Streams support
- IK10 vandal resistance
- Smart IR Range 30m

4.0MP POE IP66 IK10 Onvif



Overview

CB-DIS4028V is a Varifocal Dome Network Camera that offers superb video performance at 4.0MP resolution. It is equipped with 1/3" Progressive Scan CMOS Image and 2.8~12mm Auto Iris Motorized lens. It can cover a large area with exceptional detail and light sensitivity. Wide Dynamic Range and Day/Night functionality provides perfectly balanced video quality in scenes with variations in light, while with the H.265 encoding you can minimize bandwidth and storage needs.

CB-DIS4028V is ideal for in/outdoor applications with anti-vandal requirements and suits in various installations and applications.

Specifications

Part No. 1124039

Camera

Pick Up Sensor	1/3" Progressive Scan CMOS
Min. illumination	Color 0.05Lux;IR ON 0 Lux
ICR - IR Cut Filter	Yes
Shutter Time	1/1-1/20000
Auto Iris	Yes
Wide Dynamic Range	WDR>120dB, True WDR
Digital Noise Reduction	2D/3D
Lens Type/Focal Length	2.8-12mm, Motorized Varifocal
FOV	90°~ 35°
IR LEDs	10pcs
IR Distance	30m

Image

Video Compression	H.264/265, MJPEG
Bit Rate (CBR/VBR)	Main stream: 500kb-12000kb, Sub stream 100kb-6000kb
Audio Compression	G.711, RAW_PCM
Resolutions	2592x1520/2560x1440@20fps, 2304x1296@30fps, 1920x1080@30fps
Stream	Stream 1: 2592x1520/2560x1440/2304x1296/1920x1080 Stream 2: D1 to QVGA
Image Setting	Rotate Mode, Saturation, Brightness, Contrast, Sharpness
BLC	Yes
HLC	Yes
9:16 Corridor Mode	Yes
DIS	Yes
ROI	Yes
Defog	Yes

Network

Supported Protocols	IPv4, 802.1x, HTTP, HTTPS, TCP/IP, UDP/IP, RTSP, DHCP, NTP, RTCP/RTP, PPoE, SMTP, DNS, UPnP, FTP, ICMP, IGMP, Unicast and Multicast supported
Alarm Trigger	Perimeter, Single, Virtual Fences, Double Virtual Fences, Loiter, Multi Loiter, Object Left, Object Removed, Abnormal Speed, Converse, Illegal Parking, Signal Bad, Motion Detection, Network disconnect, Disk alarm, I/O alarm
RTSP Video	Standard RFC2326, Support QuickTime / VLC Player
Security	User security authentication, Reset, Hardware WatchDog
Web Language	English, Polish, Italian, Portuguese, Spanish, Chinese

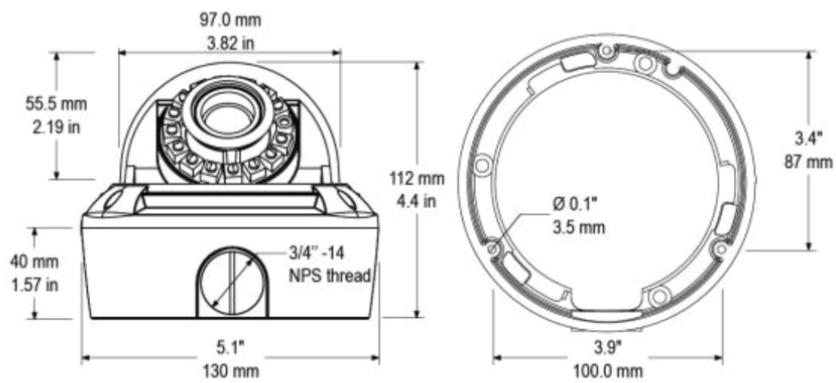
Interface

Ethernet	1 Ethernet (10/100 Base-T) RJ-45 Connector
Audio I/O	1ch Audio In, 1ch Audio Out
Alarm I/O	1ch Alarm In, 1ch Alarm Out
RS485	N/A
BNC Output	Yes
Reset Button	Yes
Edge Storage	Micro SD/SDHC slot, Max 128GB

General

Power Supply	DC12V/POE
Power Consumption	3W (IR LED OFF) / 5W (IR LED ON)
Operating Temperature	Starting Temperature: -30°~+60° (-22°~140°) Working Temperature: -40°~+60° (-40°~140°)
Operating Humidity	0% - 90% RH
Protection Level	IP66, IK10
Certifications	CE / FCC
Casing	Metal
Dimensions	φ130x112mm
Net Weight	900g

Dimensions





DISTRIBUTION CENTER

4-6 Kiprou Str.,
177 78, Tavros,
Athens, Greece

T +30 210 9580887-8,

F +30 210 9580885

info@cubitech.com

www.cubitech.com